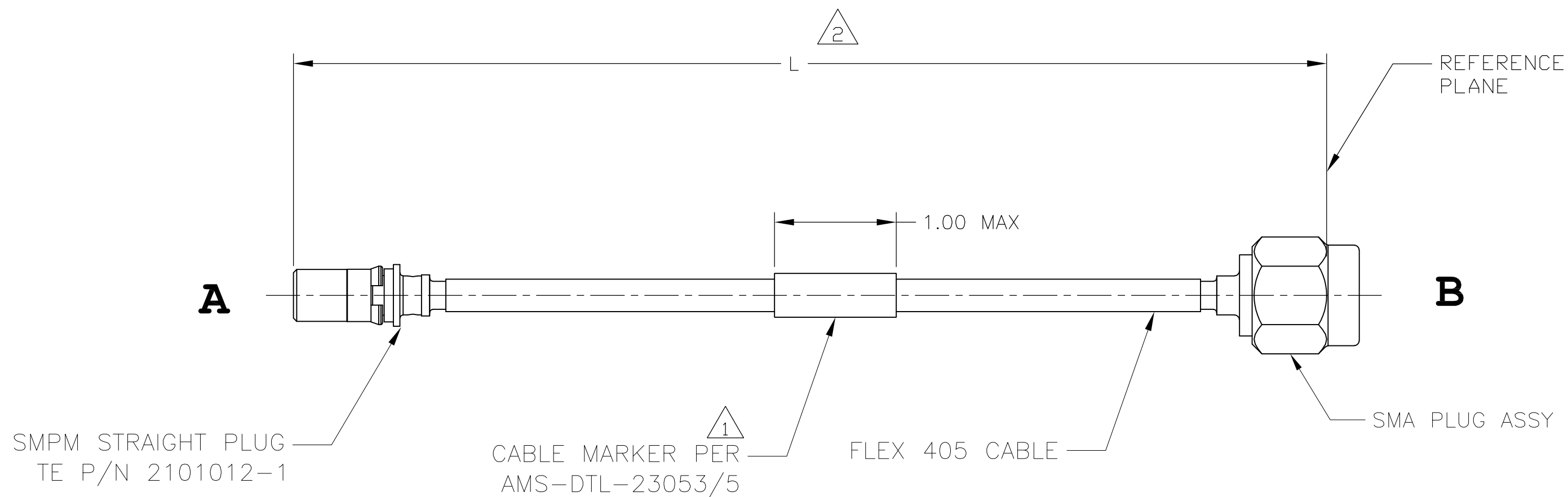


THIS DRAWING IS UNPUBLISHED. RELEASED FOR PUBLICATION
 © COPYRIGHT - By - ALL RIGHTS RESERVED.

LOC		DIST		REVISIONS			
P	LTR	DESCRIPTION		DATE	DWN	APVD	
	B	REV PER ECO 13-007347		4-30-13	CT	DW	



- △1 PART NUMBER, DATE CODE AND "TE" MARKED ON CABLE MARKER.
- △2 LENGTH TOLERANCE ± 0.5%, ± .10 IN. MINIMUM.
- 3. VSWR: 1.2 MAX, DC - 10 GHz
1.35 MAX 10-18 GHz

35.00	3-2221461-5
7.00	2221461-7
6.00	2221461-6
DIM "L"	PART NUMBER

THIS DRAWING IS A CONTROLLED DOCUMENT.		DWN	C.C.THOMAS	10-18-12	TE TE Connectivity																	
DIMENSIONS: INCHES		CHK	D.WILSON	10-18-12																		
TOLERANCES UNLESS OTHERWISE SPECIFIED:		APVD	D.WILSON	10-18-12																		
<table border="1"> <tr><td>0 PLC</td><td>±</td><td>-</td></tr> <tr><td>1 PLC</td><td>±</td><td>-</td></tr> <tr><td>2 PLC</td><td>±</td><td>-</td></tr> <tr><td>3 PLC</td><td>±</td><td>-</td></tr> <tr><td>4 PLC</td><td>±</td><td>-</td></tr> <tr><td>ANGLES</td><td>±</td><td>-</td></tr> </table>		0 PLC	±	-		1 PLC	±	-	2 PLC	±	-	3 PLC	±	-	4 PLC	±	-	ANGLES	±	-	PRODUCT SPEC	NAME
0 PLC	±	-																				
1 PLC	±	-																				
2 PLC	±	-																				
3 PLC	±	-																				
4 PLC	±	-																				
ANGLES	±	-																				
MATERIAL		APPLICATION SPEC		RF CABLE ASSEMBLIES, SMPM STRAIGHT PLUG TO SMA STRAIGHT PLUG ON FLEX .086																		
FINISH		WEIGHT		SIZE	RESTRICTED TO																	
		CUSTOMER DRAWING		A2 00779																		
		SCALE		DRAWING NO																		
		NTS		C=2221461																		
		SHEET		1 of 1																		
		REV		B																		